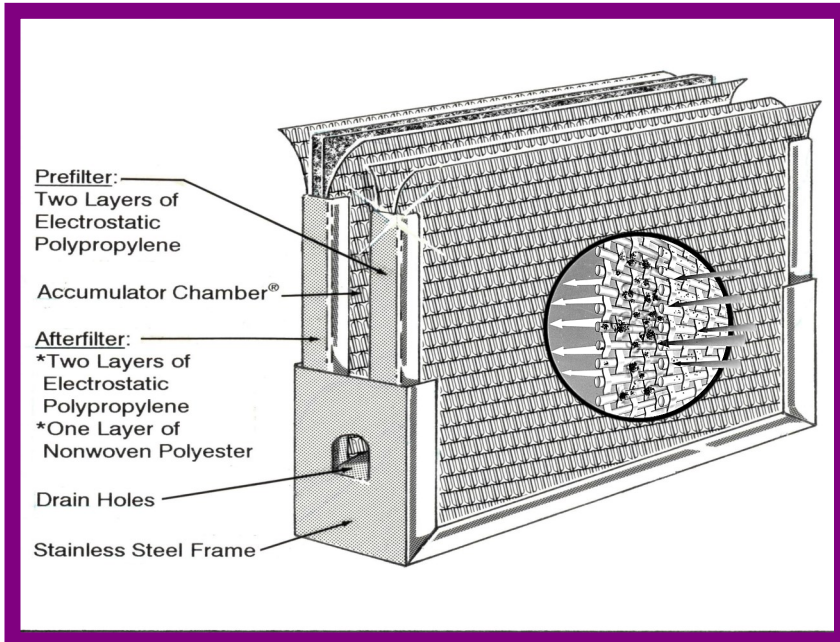



DUST EATER®

Gives You An *Inside* Advantage..



Ultimate Allergy Filter

- ◆ Lifetime warranty
- ◆ Stainless steel frame and wire support
- ◆ Initial resistance 0.16" w.g. @ 300 FPM (1200 CFM) air flow
- ◆ Average arrestance efficiency 91% contains an added layer of nonwoven polyester for maximum performance
- ◆ Dust holding capacity 160 grams
- ◆  Air Filter Unit Classified As to Flammability Only 655U

... with our Exclusive

ACCUMULATOR CHAMBER® Design

The key components of a truly efficient unit are on the inside. Engineering expertise enables our Accumulator Chamber design to:

- ◆ Resist particulate buildup on the surface to maintain adequate air flow
- ◆ Maintain a low resistance to air flow for more balanced heating and cooling
- ◆ Increase the air filter's dust holding capacity
- ◆ Promote maximum arrestance performance and easy/thorough cleanability

PERMATRON®

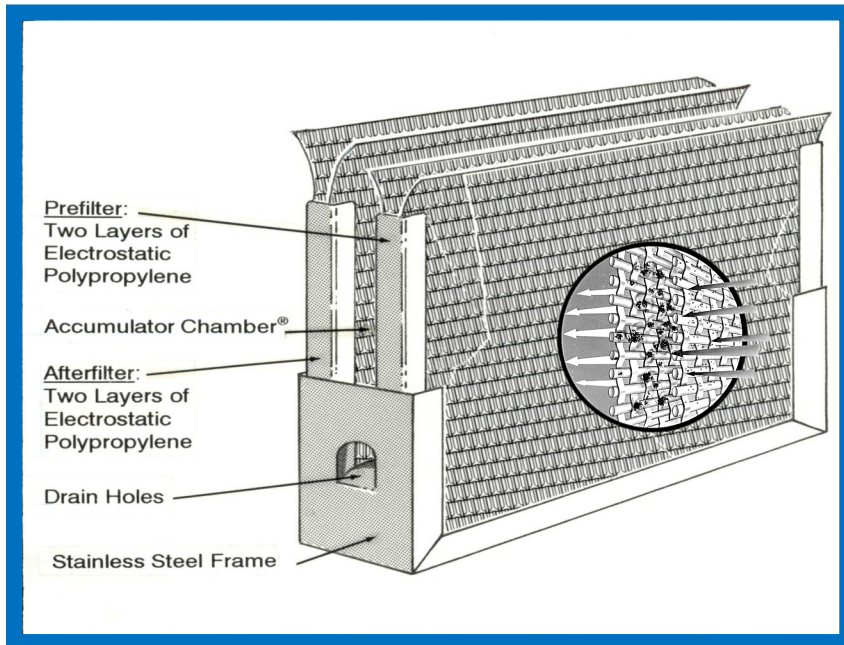
(800) 882-8012

www.permatron.com

DUST EATER[®]

Easy Flow

Gives You An *Inside* Advantage..




... with our Exclusive

ACCUMULATOR CHAMBER[®] Design

The key components of a truly efficient unit are on the inside. Engineering expertise enables our Accumulator Chamber design to:

- ◆ Resist particulate buildup on the surface to maintain adequate air flow
- ◆ Maintain a low resistance to air flow for more balanced heating and cooling
- ◆ Increase the air filter's dust holding capacity
- ◆ Promote maximum arrestance performance and easy/thorough cleanability

Low Air Flow Resistance

- ◆ Lifetime warranty
- ◆ Stainless steel frame and wire support
- ◆ Initial resistance 0.11" w.g. @ 300 FPM (1200 CFM) air flow— ideal for heat pumps, sensitive 90+ furnaces and systems with limited air flow
- ◆ Average arrestance efficiency 82%
- ◆ Dust holding capacity 105 grams
- ◆  Air Filter Unit Classified As to Flammability Only 655U

PERMATRON[®]

(800) 882-8012

www.permatron.com